

| | |
|------------|--|
| Project: | |
| Type: | |
| Catalog #: | |



178,000 Hours

PERFORMANCE

| | |
|----------------------------|--------------------------------|
| Lumen Output | 18,000-39,000 lumens |
| Lifespan | L70>178,000 Hours |
| Ambient Temperature | -40°F to 149°F (-40°C to 65°C) |
| Warranty | 5 Years |
| Efficacy | Up to 150 LPW |
| Power Washing | Up to 1600 PSI |

ELECTRICAL

| | |
|--------------------------|--|
| Operating Voltage | 120-480V |
| Input Frequency | 50/60Hz |
| Input Wattage | 120-260W |
| Surge Protection | 10kV (10kA or 20kA Optional) |
| Dimming | 0-10V |
| Power Input | Standard 10' Yellow Cable (5-conductor wire to pigtails) |

CONSTRUCTION

| | |
|-------------------|--|
| IP Rating | IP67 |
| IK Rating | IK10 (pending) |
| Weight | 22.8lbs (10.3kg) |
| Dimensions | 17"H x 18"W |
| Housing | Die Casted Aluminum Alloy |
| Finish | High Efficiency Heat Dissipating Powder Coat |
| Lens | Shatterproof, Polycarbonate |
| NPT | 3/4" Female |

OPTICAL

| | |
|-------------------|-------------------|
| CRI | ≥80 (90 Optional) |
| CCT | 4000K, 5000K |
| Beam Angle | 90°, 120° |



The HMU LED high-bay is a third generation fixture designed by FME Lighting for the harsh environments found in food processing and heavy manufacturing facilities. This industrial grade fixture is an ideal replacement for traditional 400W–1000W metal halide fixtures providing up to 70% energy savings.

Emergency Battery Backup

- Minimum 90-Minute Duration
- 16W 2400 Lumen
- Temperature Range from 50°F to 122°F (10°C to 50°C)
- 120-277V only

Applications

- FOOD & BEVERAGE PROCESSING
- MANUFACTURING & DISTRIBUTION
- LIVESTOCK FARMING

| Model | Lumen Pkg | Distribution | Voltage | Internal Surge Protector | Control Option | CCT | CRI | Mounting | Finish |
|-------|--|-----------------------------------|------------------------------|---|--|--------------------|------------------------|---|-------------------|
| HMU | 18=18,000 23=22,500 30=30,000 39=39,000 | M=Medium (90°) Δ W=Wide (120°) | LV=120-277V HV=277-480V Δ | Leave Blank= Standard 10kV S1=10kA SP 120-277V S2=20kA SP 120-277V S3=20kA SP 277-480V | Leave Blank= No Controls C1=Programmable internal motion sensor Δ | I=4000K C=5000K | 80=80 CRI 90=90 CRI | HK=Hook Mount PM=Pendant Mount Adapter | G=Gray W=White |

Options & Accessories

| Options | | Plugs | | Cordsets (Order Separately) | |
|---------|---|-------|---------------------------------|-----------------------------|--|
| Options | Description | Plugs | Description | Order Code | Description |
| M3 | Bulkhead mini receptacle, 3 wire, Male Δ | P3 | 3pin Mini Connector Male Plug | MIN-3FP-6 | 3 Conductor Female 6' Cable to Pigtailed |
| M5 | Bulkhead mini receptacle, 5 wire, Male Δ | P5 | 5pin Mini Connector Male Plug | MIN-5FP-6 | 5 conductor Female 6' Cable to pigtailed |
| EM | Emergency Battery Backup *see restrictions* Δ | 5P | 120v Plug Δ | MIN-3MFP-6 | 3 conductor Female 6' Cable to Male |
| YX | 5 conductor yellow wire that is X feet long | L6P | Locking 208/240v Plug Δ | MIN-5MFP-6 | 5 Conductor Female 6' Cable to Male |
| WX | 5 conductor white wire that is X feet long | L7P | Locking 277v Plug Δ | | |
| S10 | Aircraft Safety Cable 10' | W5P | Watertite 120v Plug | | |
| S16 | Aircraft Safety Cable 16' | W6P | Watertite Locking 208/240v Plug | | |
| | | W7P | Watertite Locking 277v Plug | | |

Δ Option Value Ordering Restrictions

EM Backup is not supported by HV fixtures

EM Backup temperature range 10-50°C (50-122°F)

Plug options 5P, L6P, L7P are not IP rated

MD lens option is only IP66 rated

Please see page 6 for control programming options

Cordset options are only suitable for M3/M5 bulkhead options

HMU Characteristics

| Lumen Package | Wattage | | | | Amp Draw | | | | Diameter | Height | Height with Hook | Comparable Light Source |
|---------------|---------|------|------|------|----------|------|------|------|----------|--------|------------------|-------------------------------------|
| | 120V | 277V | 347V | 480V | 120V | 277V | 347V | 480V | | | | |
| 18L | 120 | 116 | 114 | 115 | 1.03 | 0.44 | 0.34 | 0.25 | 17.93" | 16.97" | 20.94" | 250W MH, 6-lamp T8 HBF, 4-lamp T5HO |
| 23L | 156 | 152 | 150 | 149 | 1.30 | 0.56 | 0.43 | 0.31 | 17.93" | 16.97" | 20.94" | 400W MH, 6-lamp T5HO |
| 30L | 203 | 194 | 196 | 195 | 1.69 | 0.72 | 0.58 | 0.42 | 17.93" | 16.97" | 20.94" | 575W MH, 10-lamp T8 HBF |
| 39L | 267 | 259 | 260 | 256 | 2.25 | 0.97 | 0.78 | 0.55 | 17.93" | 16.97" | 20.94" | 750W MH, 8-lamp T5HO |

Projected Lumen Maintenance

HMU 18L | 23L | 30L | 39L

| Operating hours | 0 | 10,000 | 30,000 | 50,000 | 70,000 | 100,000 |
|--------------------------|---|--------|--------|--------|--------|---------|
| Lumen maintenance factor | 1 | 0.99 | 0.96 | 0.92 | 0.89 | 0.84 |

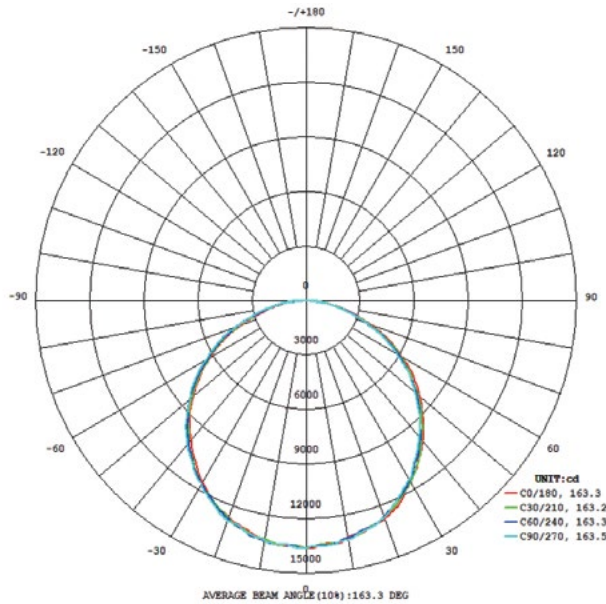
Ambient Temperature Ratings

| Lumen Package | Fixture | with MS | with EM |
|-----------------------|---------------|---------------|--------------|
| 18L 23L 30L 39L | -40°C to 65°C | -40°C to 65°C | 10°C to 50°C |

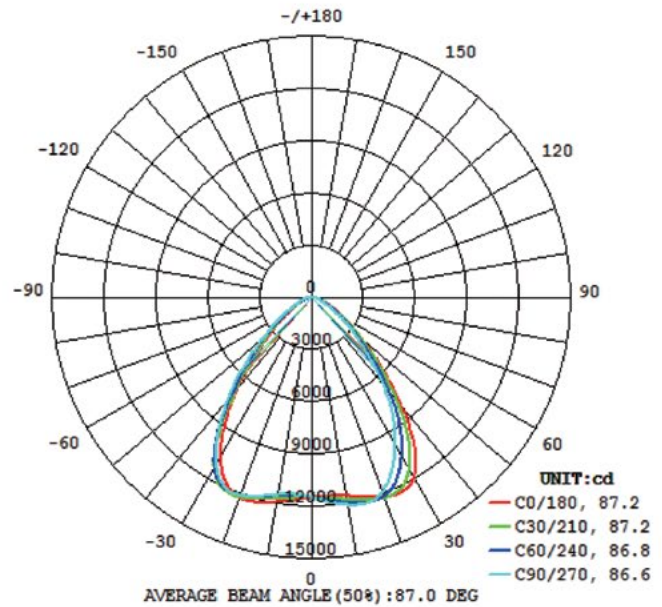
HMU Emergency Backup Information (5000K, CRI)

| Lens | FX Order Code | EM Manufacturer | EM Driver Part | EM Battery Part | Field Installable | Lumen Output |
|--------|---------------|-----------------|----------------|-----------------|-------------------|--------------|
| Wide | EM | Fulham | FHS2-UNV-36L | FHSBATL6-1.5 | No | 2400LM |
| Medium | EM | Fulham | FHS2-UNV-36L | FHSBATL6-1.5 | No | 2560LM |

HMU WIDE Light Distribution



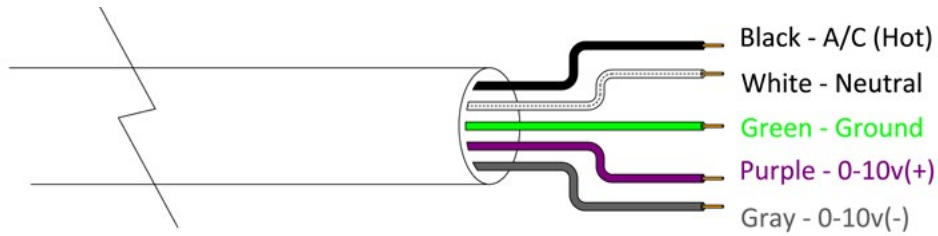
HMU MEDIUM Light Distribution



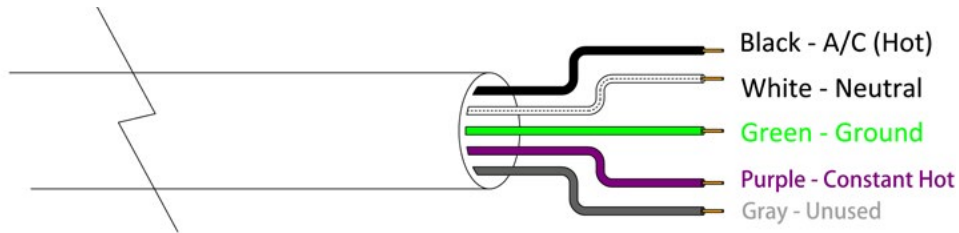
Surge Protection Device Information

| Order Code | S1 | S2 | S3 |
|---|--------------|-----------------|-----------------|
| Model | SP1 | PU-20KS10KHT | DS-PS-20KS10KHT |
| Manufacturer | Philips | Inventronics | Inventronics |
| Operating Voltage | 120-277V | 120-277V | 277-480V |
| Input Frequency | 50/60Hz | 50/60Hz | 50/60Hz |
| Maximum Discharge Current (Imax) | 10kA, 8/20µs | 20kA, 8/20µs | 20kA, 8/20µs |
| Nominal Discharge Current (In) | | 10kA, 8/20µs | 10kA, 8/20µs |
| Open Circuit Voltage | | 20kV | 20kV |
| Measured Limiting Voltage (L-N) | | 2600V | 3000V |
| Measured Limiting Voltage (L-G, N-G) | | 2000V | 3000V |
| Net Weight | | 50g | 60g |
| Operating Temperature | | -40°C to 85°C | -40°C to 85°C |
| Dimensions | | 0.6"x1.1"x11.8" | 0.7"x1.1"x11.8" |
| Number of Surges | | | |
| 20 kA | | 1 | 1 |
| 10 kA | | 15 | 15 |
| 4 kA | | 100 | 100 |
| 2 kA | | 500 | 500 |
| 1 kA | | 1,000 | 1,000 |

Wiring Diagram



Emergency Wiring Diagram



Sensor Options

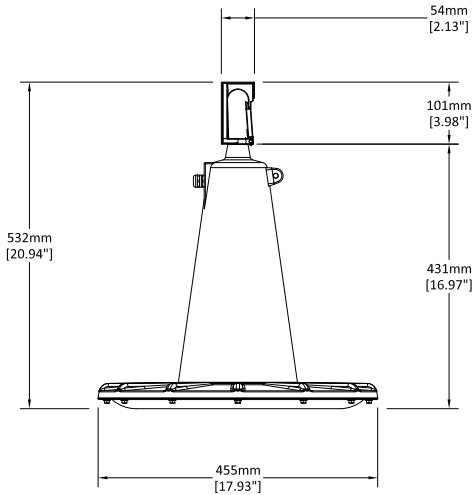
| Options | Functions | Description |
|---------------------|---|--|
| Brightness | 70% / 80% / 90% / 100% | The time the fixture remains at programmed light level if motion is not detected |
| Hold Time | 10s / 1m / 5m / 10m / 15m / 20m / 30m / 60m | |
| Sensitivity | 20% / 50% / 75% / 100% | Sensitivity of occupancy sensor |
| StandBy Time | 1m / 30m / 60m | Step dimming options after fixture does not detect movement |
| Stand by Dim | 0% / 10% / 30% / 50% | |

Packaging Dimensions

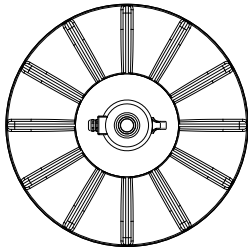
| | Box | Pallet |
|-----------------------|--------------------|--------------------|
| Qty - FIXTURES | 2 | 32 |
| Size | 23"L x 29"W x 23"H | 57"L x 45"W x 94"H |
| Weight | 52lbs | 850lbs |

Dimensional Data

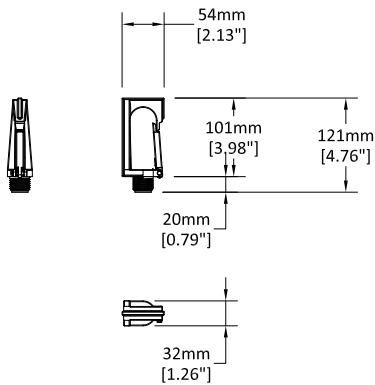
HMU with Hook



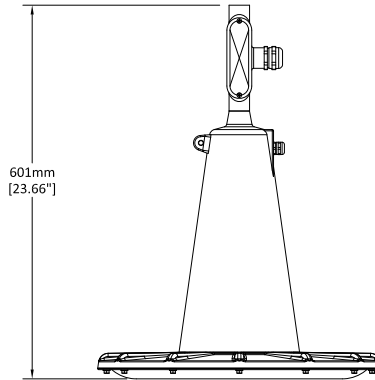
Top View



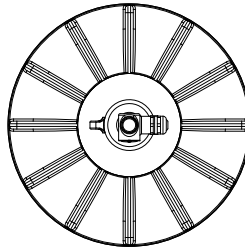
Hook



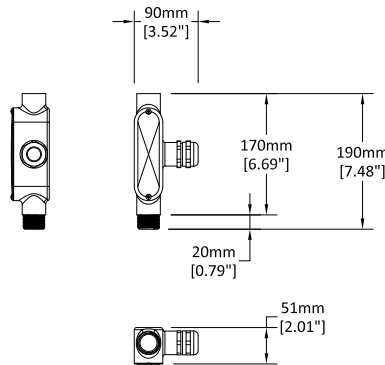
HMU with Pendant Mount Adapter



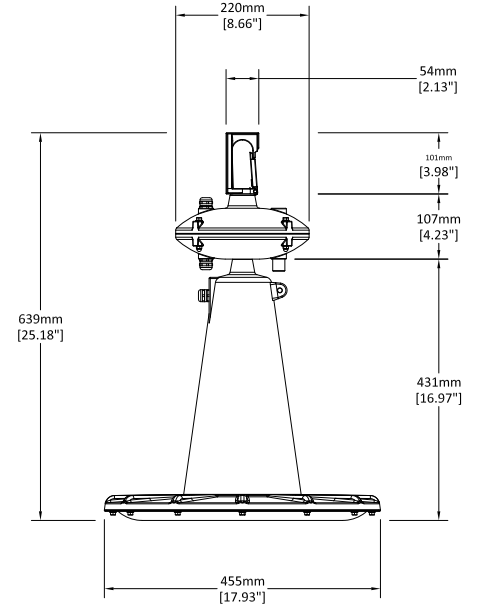
Top View



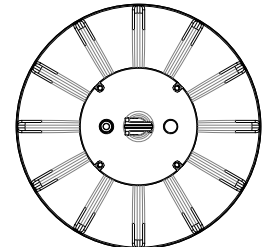
Pendant Mount Adapter



HMU with EM and Hook



Top View



Bottom View

